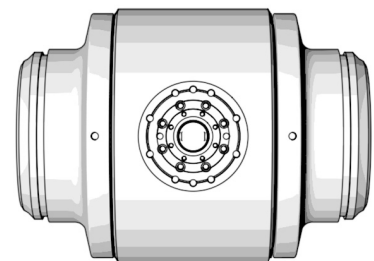
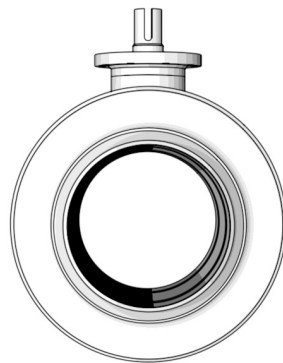
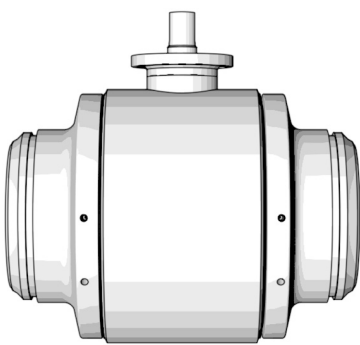


SK61
Welded Full Bore Ball Valve



| Series SK61 | |
|------------------------|--|
| Size Range | 15mm~1200mm (1/2"~48") |
| Body Style | Welded, flanged |
| Temperature Range | -46°C~200°C |
| Pressure Range | 1.0Mpa~6.3Mpa (Class150~600) |
| Body Materials | 20, S137.8, A105, LF2, F304, F316 |
| Ball Materials | F304, F316 |
| Stem Materials | 420, 35CrMoA, F6a, F11, F304, F316, F321 |
| Seat Materials | PTFE, PFA, PPL, PEEK, metal to metal |
| Installation Direction | Bidirectional |
| Face to Face | GB/T12221, GB/T19672, ASME B16.10 |
| Design | GB/T12237, GB/T30818 |
| End connection | ASME B16.5, EN1092, GOST12820, GOST33259 |
| Top connection | ISO5211, GOST55510 |
| Inspection | GB/T13927, ISO5028, API598, JB/T9092 |

| S | K(Type) | 0(Driving) | 6(Connection) | 7(Structure) | P(Sealing material) | - | 10(Pressure) | C(Body material) |
|---------|--------------|---|-----------------------|-----------------------|--------------------------------|---|----------------------------|-----------------------------------|
| Seallon | K-ball valve | x-handle 0-yoke 3-gear box 6-pneumatic 9-electric | 6-welded 4-flanged | 1-floating 7-fixed | P-plastic S-stainless steel | - | 10 16 25 40 63 | C-cast steel S-stainless steel |



| | | | | | | | | | | | | | | | | | | | | | | | | | |
|-----------------------|-----|-----|-----|-----|-----|-----|-----|------|------|-----|-----|------|------|------|------|------|------|------|-------|-------|-------|-------|-------|-------|-------|
| DN | 15 | 20 | 25 | 32 | 40 | 50 | 65 | 80 | 100 | 125 | 150 | 200 | 250 | 300 | 350 | 400 | 450 | 500 | 600 | 700 | 800 | 900 | 1000 | 1200 | 1400 |
| L (F-F, mm) | 230 | 230 | 260 | 260 | 300 | 300 | 300 | 325 | 325 | 350 | 400 | 520 | 630 | 650 | 760 | 910 | 920 | 1060 | 1340 | 1520 | 1720 | 1900 | 2000 | 2200 | 2300 |
| Torque (1.6Mpa) | 9 | 15 | 30 | 40 | 48 | 80 | 90 | 135 | 245 | 330 | 640 | 1150 | 1750 | 2400 | 3400 | 4500 | 4800 | 6400 | 10000 | 14000 | 16800 | 24200 | 32000 | 40000 | 64000 |
| Torque (2.5Mpa) | 9 | 15 | 33 | 45 | 54 | 90 | 150 | 206 | 344 | 688 | 963 | 1731 | 2300 | 2800 | 3600 | 4750 | 6000 | 8000 | 12500 | 17500 | 21000 | 30250 | 40000 | 50000 | 80000 |
| Bare stem weight (kg) | 1.5 | 1.8 | 2.9 | 3.4 | 4.7 | 6.9 | 9.1 | 12.5 | 15.1 | 25 | 53 | 95 | 140 | 227 | 379 | 565 | 681 | 884 | 1635 | 2400 | 3350 | 4300 | 6100 | 9500 | 16000 |