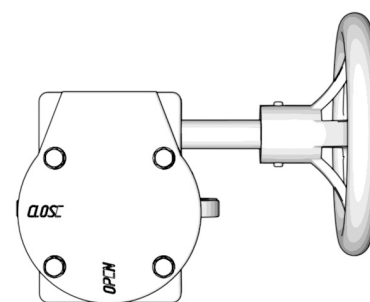
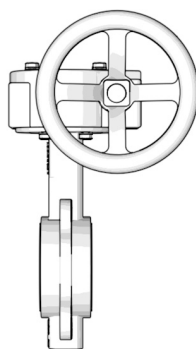
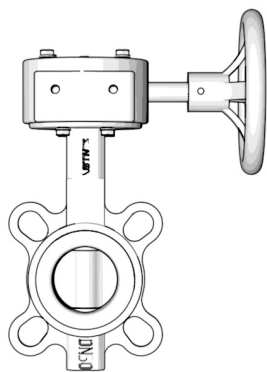


Series SB71-B	
Size Range	25mm~1200mm (1"~48")
Body Style	Wafer
Temperature Range	-20°C~150°C
Pressure Range	0.6MPa~2.5MPa (Class150)
Body Materials	GGG40, WCB, CF8, CF8M
Disc Materials	CF8, CF8M, CF3, CF3M, Duplex Stainless Steel
Stem Materials	45#, 410, 416, 431, 304, 316
Seat Materials	EPDM, NBR, NR, SBR, Hypalon, Viton, MVQ, PTFE
Installation Direction	Bidirectional
Face to Face	GB/T12221, BS EN558-1
Design	GB/T12238, BS EN593, API609
Flange Drilling	ASME B16.5, EN1092, GOST33259, DIN2501
Top connection	ISO5211, GOST55510
Inspection	GB/T13927, ISO5028, API598, JB/T9092

SB71-B
Concentric Wafer Butterfly Valve
Type B



S	B(Type)	3(Driving)	7(Connection)	1(Structure)	R(Sealing material)	-	16(Pressure)	C(Body material)
Seallon	B-butterfly valve	×-handle 0-yoke 3-gear box 6-pneumatic 9-electric	7-wafer	1-concentric	R-rubber P-PTFE	-	6 10 16 25	D-ductile iron C-cast steel S-stainless steel



DN	50	65	80	100	125	150	200	250	300	350	400	450	500	600	700	800	900	1000	1200
L (F-F, mm)	42	45	45	52	55	56	60	66	77	77	86	105	130	152	165	190	203	216	254
Torque (0.6Mpa)	12	14	21	35	54	60	129	205	298	345	542	831	1093	1679	3010	3963	4913	8367	11733
Torque (1.0Mpa)	12.5	20	28	41	61	69	148	235	342	396	622	927	1130	2057	3560	5513	6712	10125	13263
Torque (1.6Mpa)	13	22	37	44	68	89	162	257	367	680	1440	1827	1926	3897	4253	5600	6834	11603	16321
Bare stem weight (kg)	2.6	3	3.6	5	6.5	7.7	12.9	18.5	29	35	70	88	110	172	282	353	468	608	970